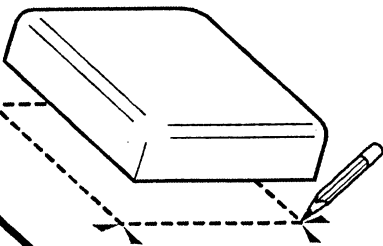


Rotofast™

INSTALLATION STEPS

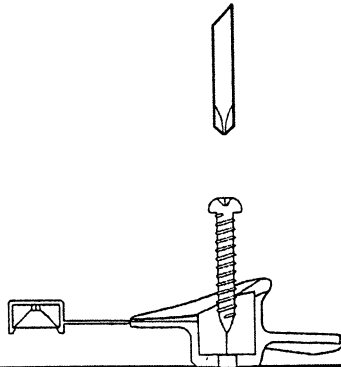
1

Position panel;
Mark its location.



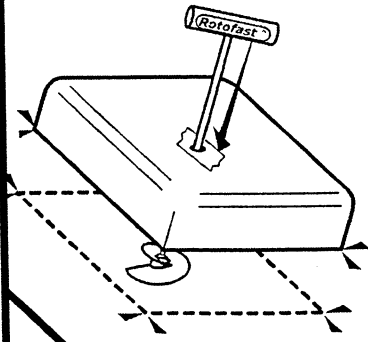
3

Screw Rotofast panel anchors to wall at pre-marked locations.
(Consult manufacturer for recommended fasteners to use with Rotofast anchors)
(Note: do not over-tighten, anchors should be hand tight and able to turn on screw shaft)



5

Re-position panel.
Push pointed hex driver through panel to engage Rotofast anchors.
(Note: fully engage hex driver into metal insert before turning)



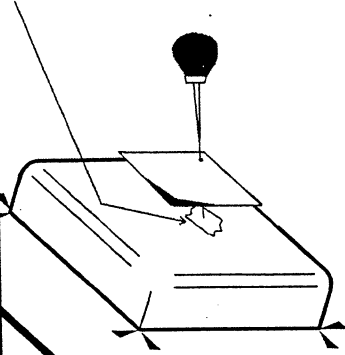
2

Put masking tape on panel face at anchor location. (optional)

Position template; Push scratch awl through panel at template marking hole.

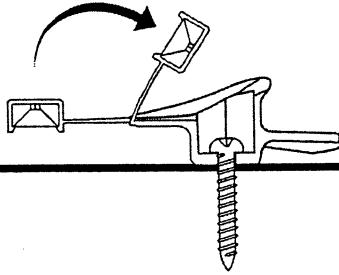
Incise wallboard behind panel.

Note: to mark harder wall material ie. concrete block After marking the panel with the scratch awl. Put a common nail in the hole; tap with a hammer



4

Push hex insert firmly into anchor body.

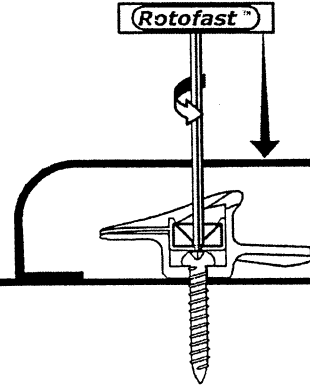


6

Turn Rotofast panel anchors counter-clockwise (left), while pushing panel towards wall.

(Note: 1-2 turns, do not over-tighten)

Remove masking tape. Lightly rub fabric to hide hole locations.



TIPS

- **Marking Through Panel Face**

Caution: DO NOT mark hard wall surfaces with hex driver. Damage to the tip of the hex driver may make engagement with the hex insert difficult. Use Awl.

- **Mounting panel on wallboard**

Most hollow wall anchors can be used with the Rotofast panel anchor.

Caution: If using “screw in” anchors (eq. EZ Anchor) make sure that the Rotofast Anchor can turn independently on screw shaft. EZ anchor may back out if Rotofast Anchor is not able to turn freely.

Number 8 pan head screws recommended (available from your Rotofast Dealer)

- **Mounting panels on masonry**

“Phillips head” masonry screws recommended (eq. 3/16" Tapcon)